



RPFAB Book Nook Diorama Kit "Cranny" Assembly Guide – Kit (CN)

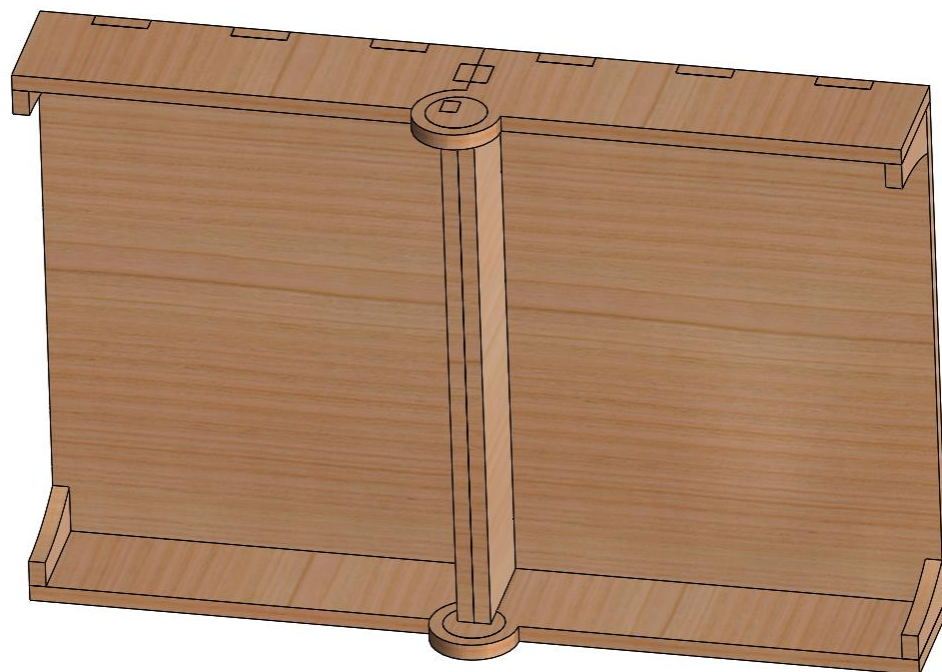
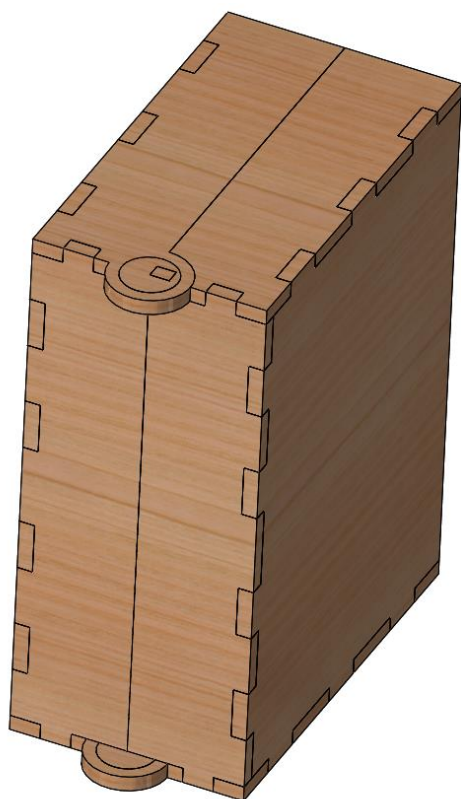
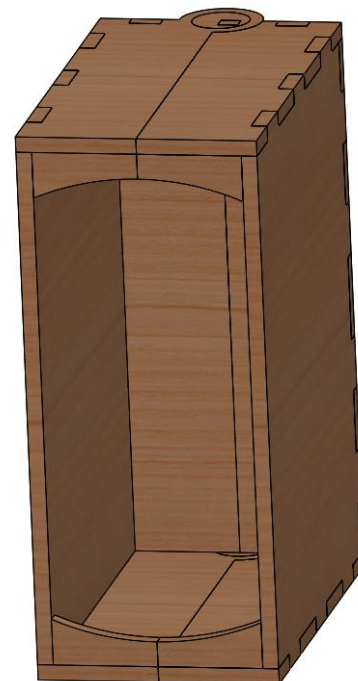
Thank you for your purchase. Now it's time to get your creative ideas flowing and put together your Book Nook Diorama!

Included parts: Wooden Laser Cut pieces.

Welcome to the "Cranny" Miniature Book Nook:

There are different ways to assemble and use this kit so feel free to deviate from this guide if your design requires it! Before decorating and gluing things up, I recommend a quick pre-assembly to mark the panels with a sketch and notes to remember which side is up, and forward.

Because this miniature nook opens fully, it can be assembled and then decorated. The panels are best assembled with wood glue or permanent glue like EG000. Take care to not glue the hinge!



We're excited to see your Book Nook Story!
Use hashtag [#RPFAB](#) or send us photos to Richard@RPFab.com so that we can support your work.

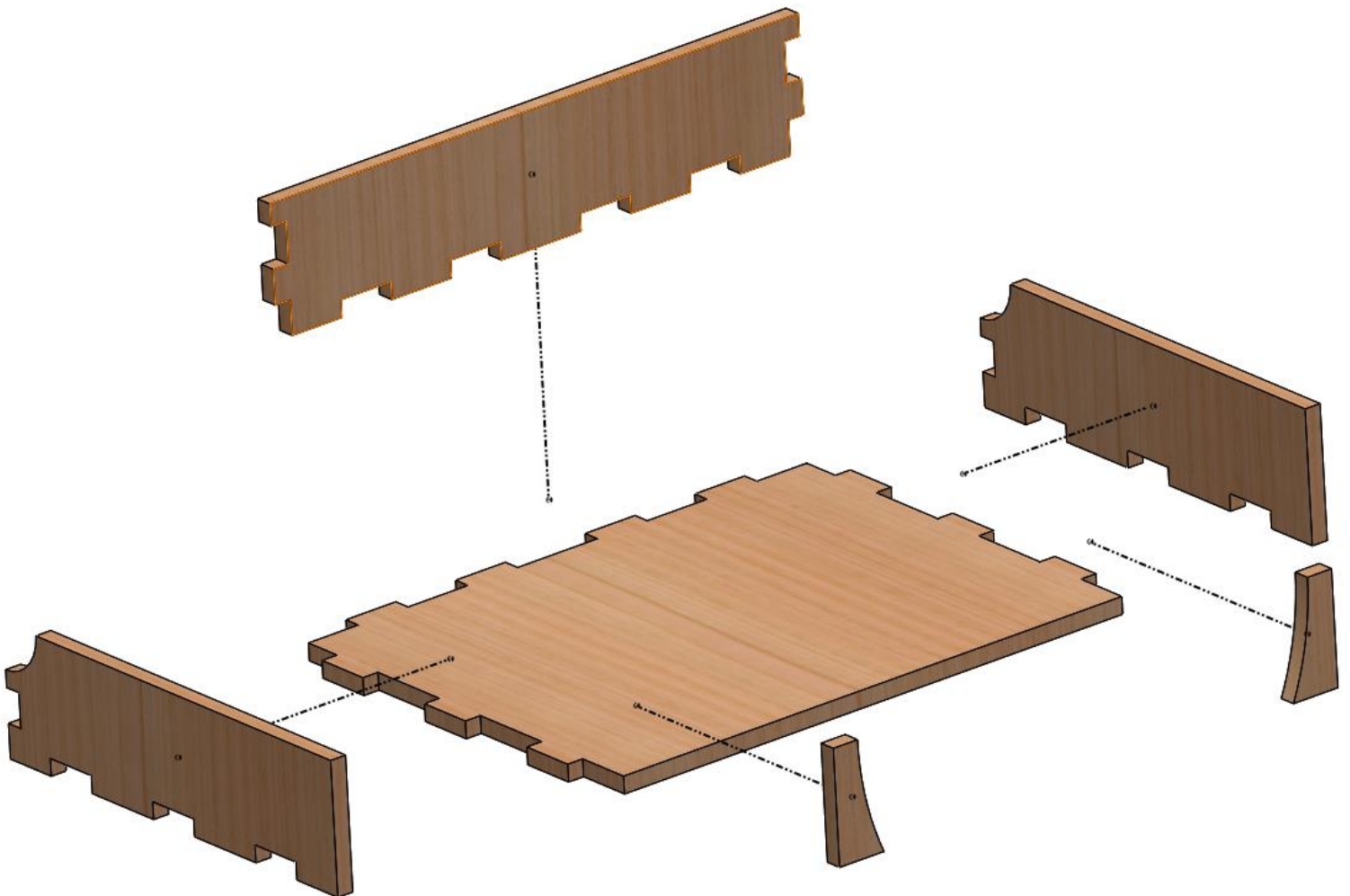


RPFAB Book Nook Diorama Kit "Cranny" Assembly Guide – Kit (CN)



STEP 1

Let's start with this side. I recommend using masking tape to hold them together. Then apply wood glue to the inside corners later.

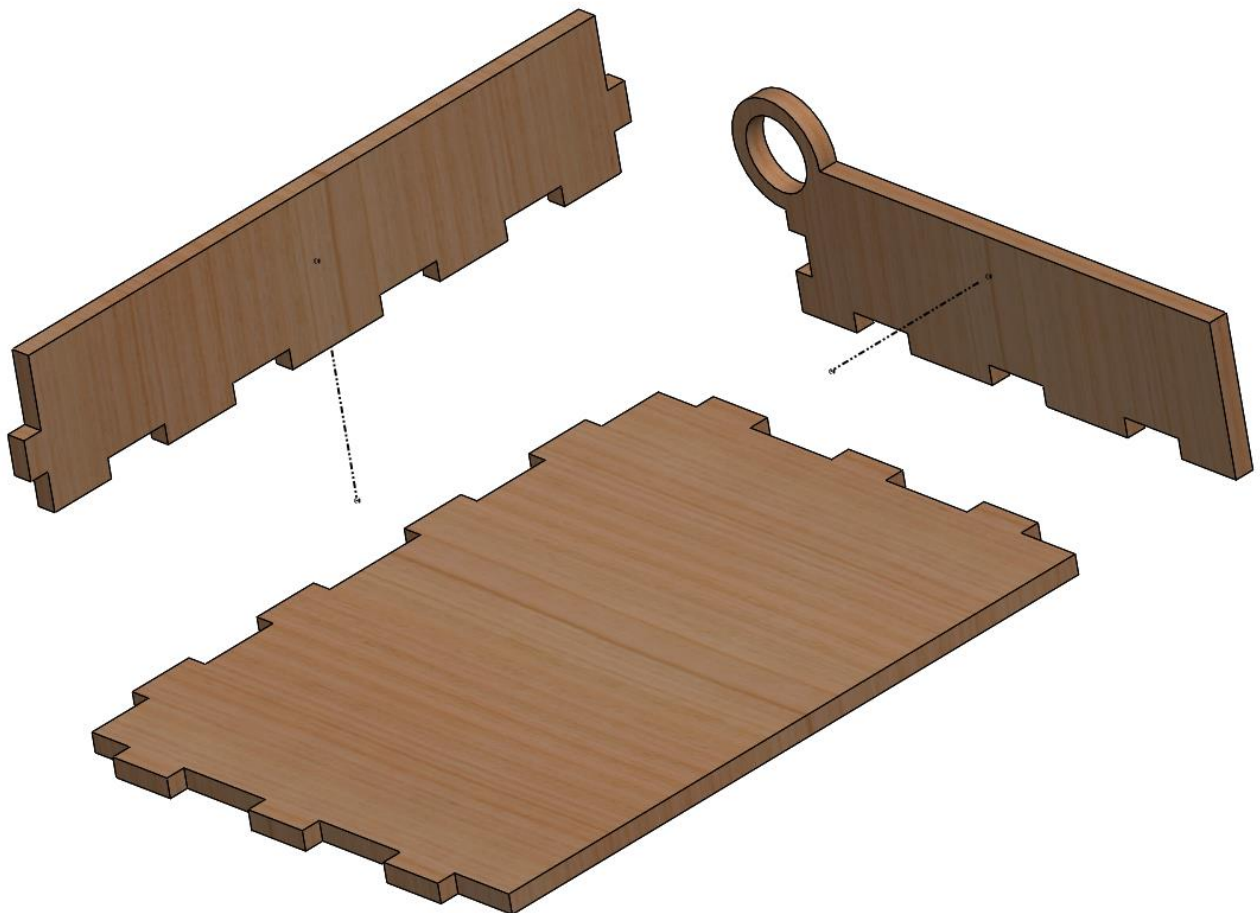




RPFAB Book Nook Diorama Kit "Cranny" Assembly Guide – Kit (CN)

STEP 2

Assembly these three parts for the other side.
Again, I recommend using masking tape to hold
them together.



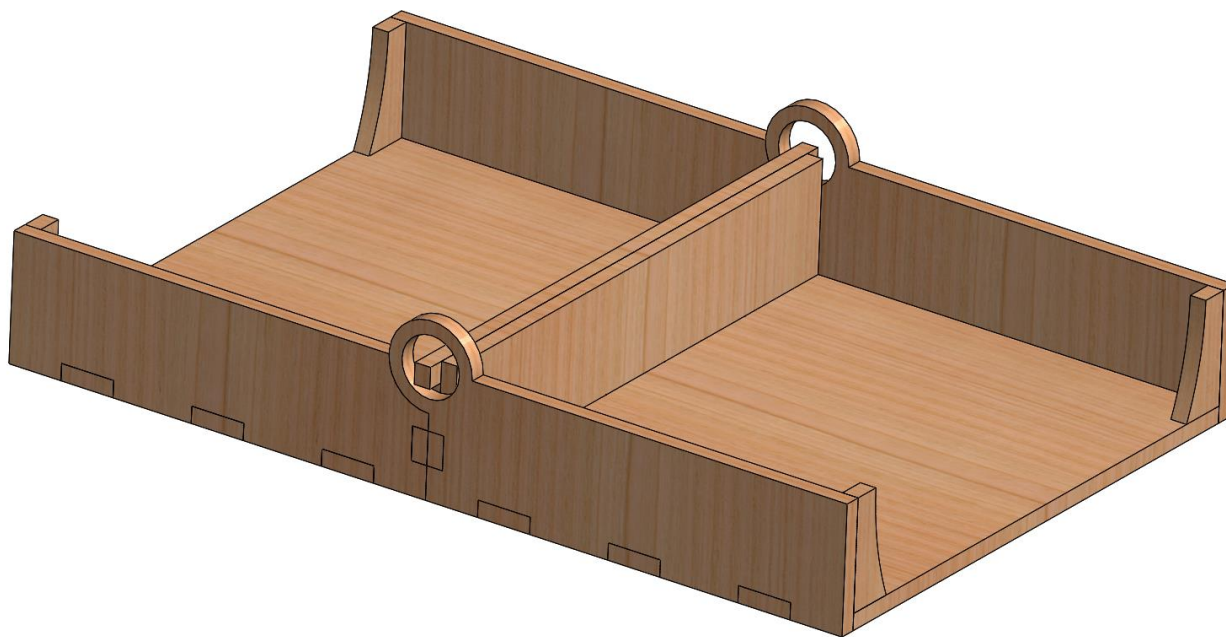
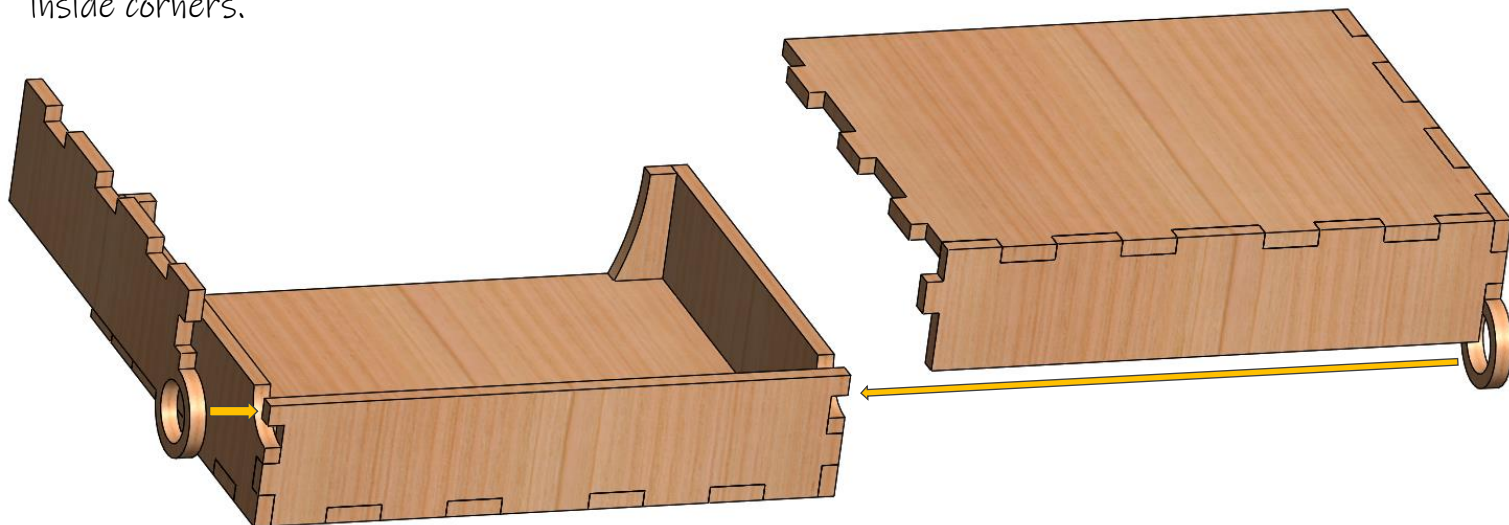
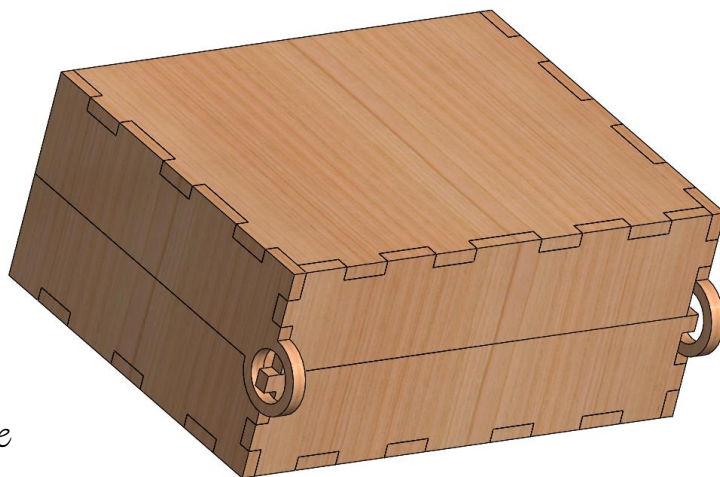


RPFab.com

RPFAB Book Nook Diorama Kit "Cranny" Assembly Guide – Kit (CN)

STEP 3

Assemble the parts from **Step 1** and **Step 2** as shown. Then add the final panel. Again, I recommend using masking tape to hold them together. Once taped together, you can open the box fully to apply glue. Apply wood glue to the inside corners.



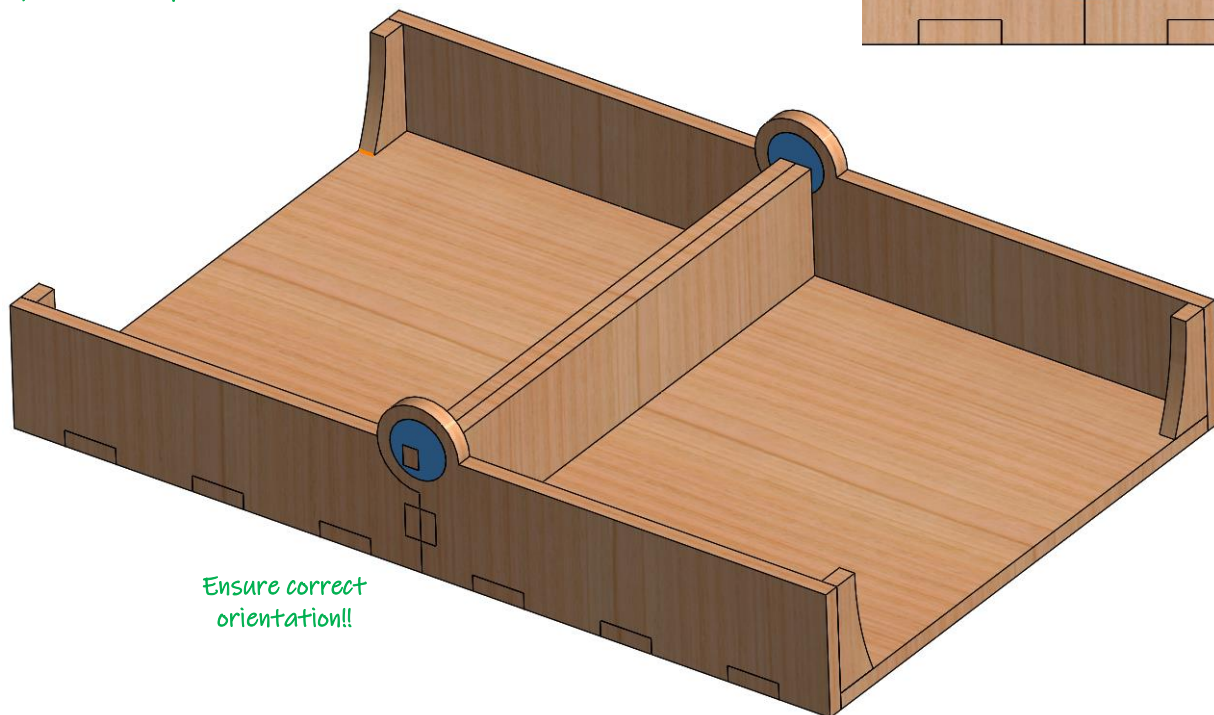
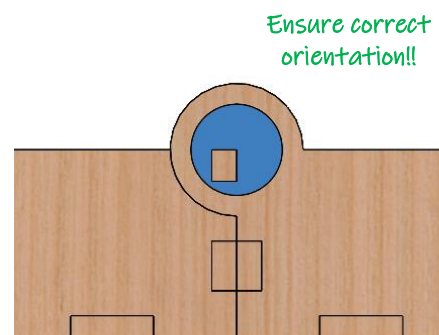
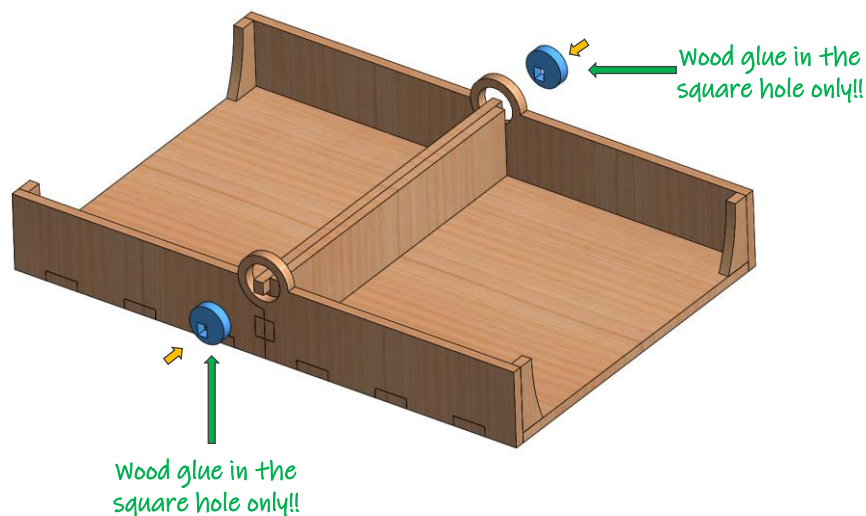
We're excited to see your Book Nook Story!
Use hashtag [#RPFAB](#) or send us photos to rich@RPFab.com so that we can support your work.



RPFAB Book Nook Diorama Kit "Cranny" Assembly Guide – Kit (CN)

STEP 4

Install the two round hinge pivots. Put wood glue inside the square hole and put it onto the peg as shown. Wipe excess glue and avoid gluing the moving parts.



We're excited to see your Book Nook Story!
Use hashtag [#RPFAB](#) or send us photos to rich@RPFab.com so that we can support your work.