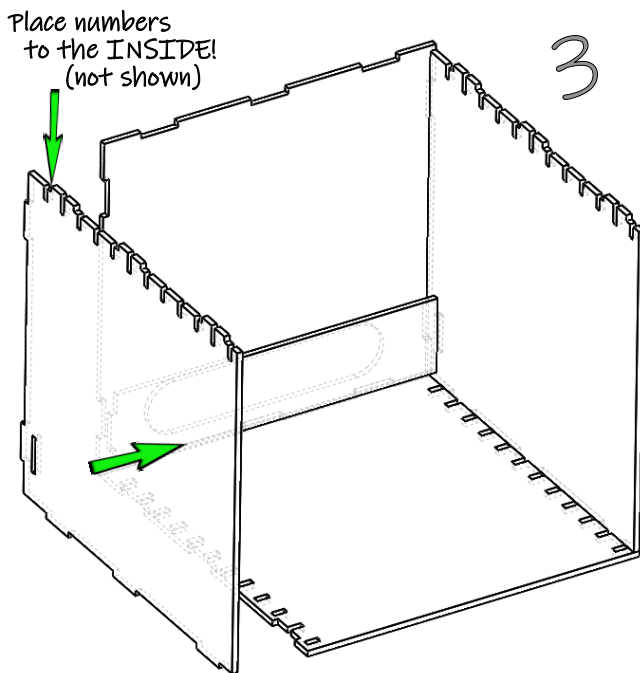
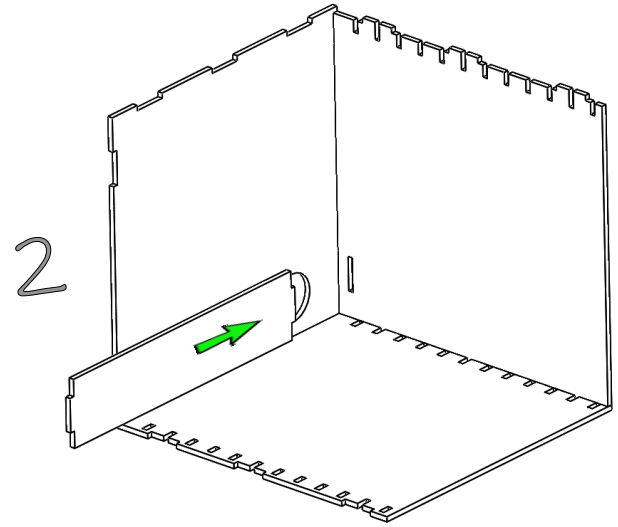
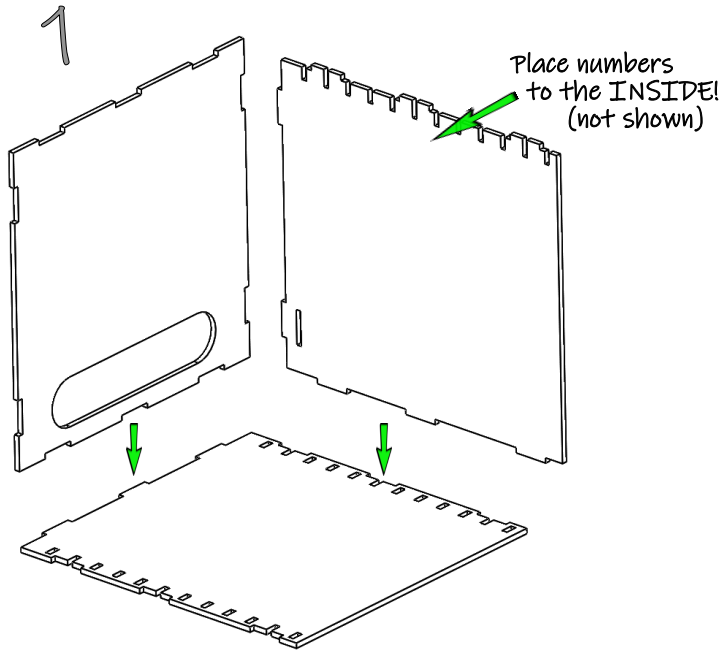


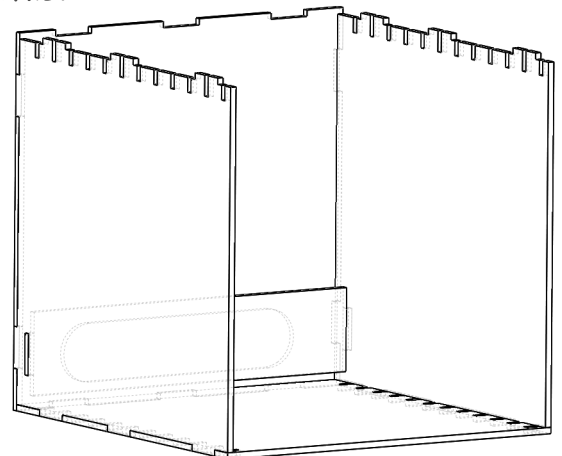


RPFAB Book Nook Diorama Kit Assembly Guide - PFT_BOX with Themed Panels

Thank you for your purchase. Now it's time to get your creative ideas flowing and put together your Book Nook Diorama!



Assemble as shown to create the basic box shape. When complete it should look like this:



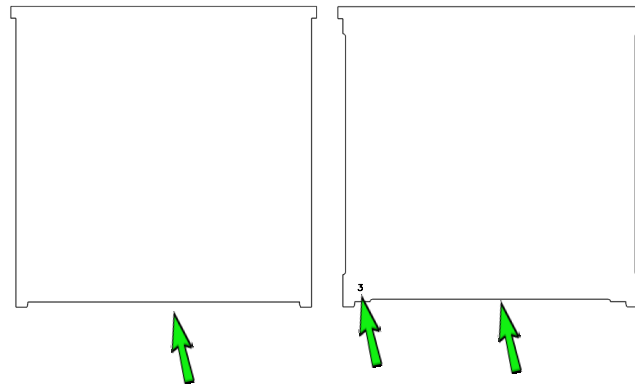
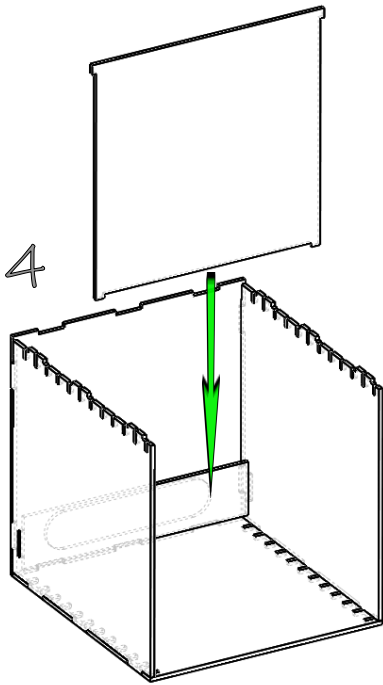
We're excited to see your Book Nook Story!
Use hashtag [#RPFAB](#) and join our facebook page so that we can support your work.
<https://www.facebook.com/groups/booknooks>



RPFAB Book Nook Diorama Kit Assembly Guide - PFT_BOX with Themed Panels

Before you install the panels, route the light kit so the battery pack is in the rear of the box. Simply loop the LED light string around the bottom of the box and affix with glue or tape.

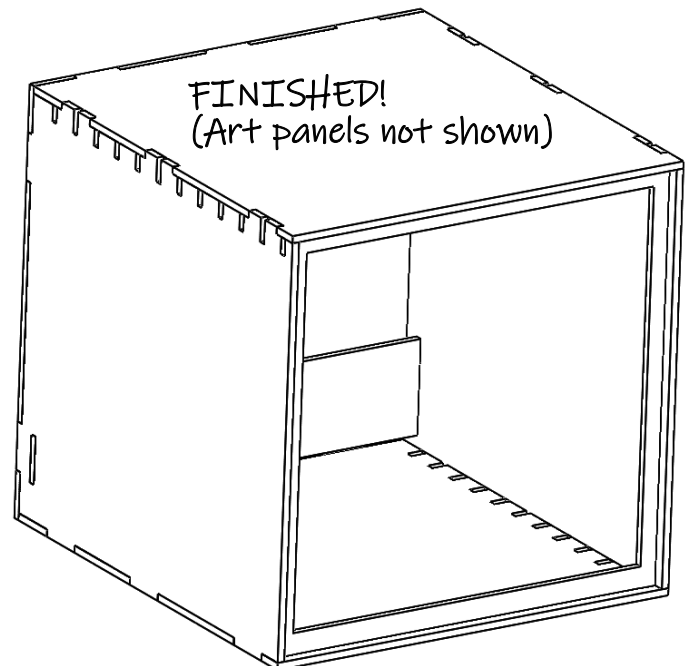
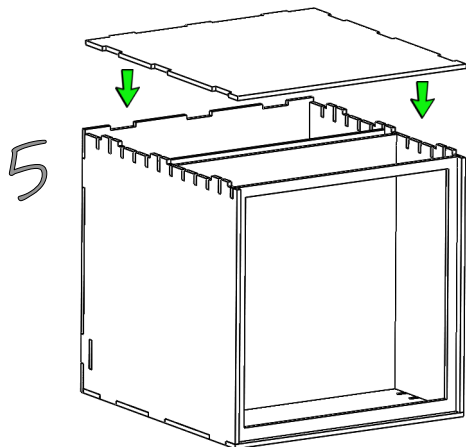
Insert the FRONT decorative panels so that the tab and slots align. Place the remaining panels at various distances to create different depth and lighting effects. Glue is not necessary here.



The front panel has no number or wire channels on the sides.

The rest of the panels are numbered and have a long slot on three sides to allow wire routing.

Once all panels are in place, install the top with glue.



We're excited to see your Book Nook Story!
Use hashtag [#RPFAB](#) and join our facebook page so that we can support your work.
<https://www.facebook.com/groups/booknooks>